



MM-2-XY with Micrometer head

### Specifications:

<b>Wobble (max):</b>	1.30 $\mu$ rad (2 arc-second) (no ball bearings)
<b>Screw Pitch:</b>	0.5mm
<b>Sensitivity:</b>	1.0 $\mu$ m
<b>Backlash:</b>	0.0
<b>Load Capacity:</b>	
Direct top or side load:	0.5 kg
Push:	1.0 kg
Yaw:	8 in-oz
Pitch:	8 in-oz
Roll:	8 in-oz

Model No.	Travel	Runout (maximum)	Return Force (extension-compression)	Weight
MM-2X	5.0mm	0.6 $\mu$ m	118 oz-in (min) 40 oz-in (max)	3.0g

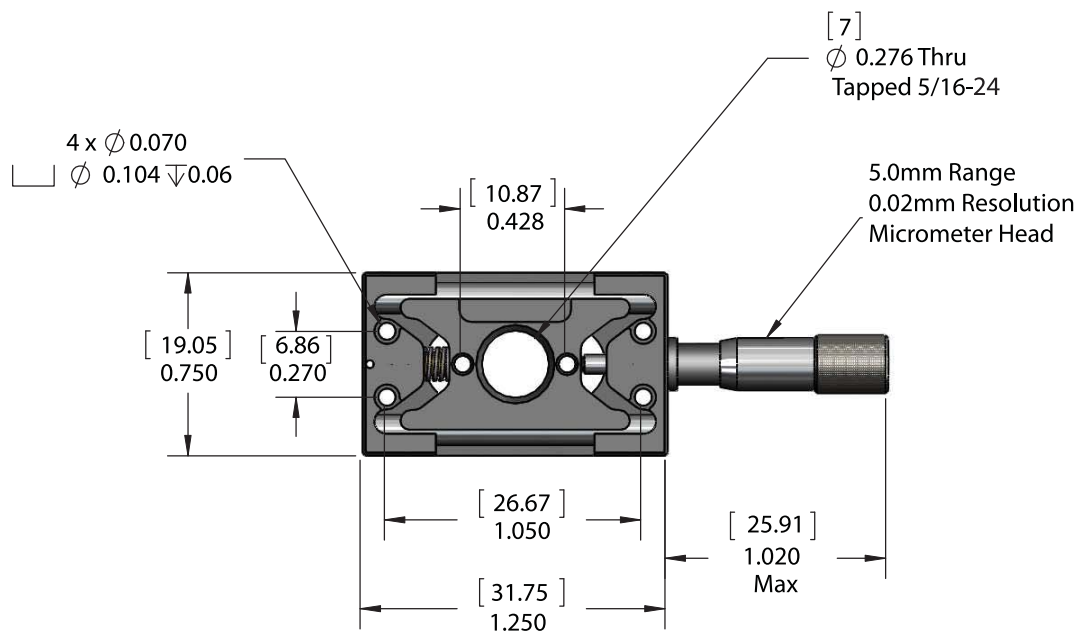
### Dimensions:(L x W x H, not including lead screw extension)

Model No.	-X Single Stage
MM-2X	31.8 x 19.0 x 7.6 (mm) 1.25 x 0.75 x 0.3 (inch)
MM-2XY	31.8 x 19.0 x 15.24(mm) 1.25 x 0.75 x 0.600 (inch)
MM-2XY	31.8 x 19.0 x 69.85(mm) 1.25 x 0.75 x 2.75 (inch)

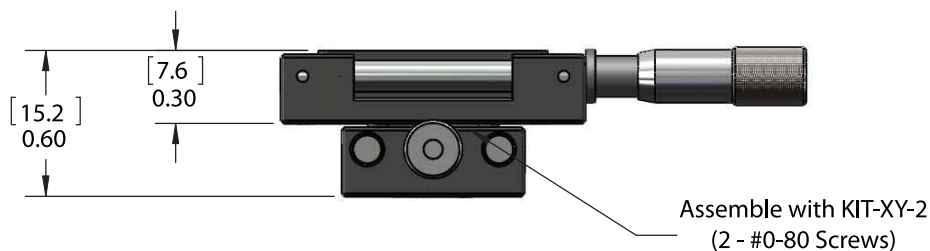
The information contained in this data sheet is subject to change without notice. Critical dimensions or specifications should be verified with our technical support staff.

# MM-2 Manual Linear Stage

## Dimensional Data



**Top View**  
(X Axis Shown)



**Front View**  
(X-Y Axis Configuration Shown)

The information contained in this data sheet is subject to change without notice. Critical dimensions or specifications should be verified with our technical support staff.

National Aperture, Inc. • 16 Northwestern Dr. • Salem, N.H. 03079-4810 • Tel. (800) 360-4598 • (603) 893-7393 • FAX (603) 893-7857 • [www.nationalaperture.com/www.naimotion.com](http://www.nationalaperture.com/www.naimotion.com)