

MM-1 Standard Manual MicroMini™ Stages

Constructible into **over 16 different configurations** (request 3 D Basic Construction Diagrams)

Specifications:

Wobble (max):	10 µrad (2 arc-second) (no ball bearings)
Screw Pitch:	80 TPI
Sensitivity:	0.5µm
Backlash:	0
Load Capacity:	
Direct top or side load:	0.25 kg
Push:	0.05 kg
Retract ext-comp.:	See return force below
Tilt:	3.0 inch-ounce (210 gram-centimeter)
Twist:	1.5 inch-ounce (105 gram-centimeter)



Model No.	Travel	Runout (maximum)	Return Force (extension-compression)	Weight
MM-1	3.175mm	1.0µm	113 - 312g	3.0g
MM-1-CR	3.175mm	1.0µm	113 - 312g	4.0g
MM-1-EX	5.715mm	1.5µm	170 - 510g	2.5g

Dimensions:(L x W x H, not including lead screw extension)

Model No.	-X Single Stage	-XY (2-axis)	-XYZ (3-axis)
MM-1	26.2 x 11.2 x 5.1 (mm)	26.2 x 26.2 x 10.2 (mm)	26.2 x 26.2 x 36.3 (mm)
	1.03 x 0.44 x 0.20 (inch)	1.03 x 1.03 x 0.40 (inch)	1.03 x 1.03 x 1.43 (inch)
MM-1-CR	26.2 x 14.2 x 5.1 (mm)	26.2 x 26.2 x 10.2 (mm)	26.2 x 26.2 x 36.3 (mm)
	1.03 x 0.56 x 0.20 (inch)	1.03 x 1.03 x 0.40 (inch)	1.03 x 1.03 x 1.43 (inch)
MM-1-EX	26.2 x 11.2 x 5.1 (mm)	26.2 x 26.2 x 10.2 (mm)	
	1.03 x 0.44 x 0.20 (inch)	1.03 x 1.03 x 0.40 (inch)	

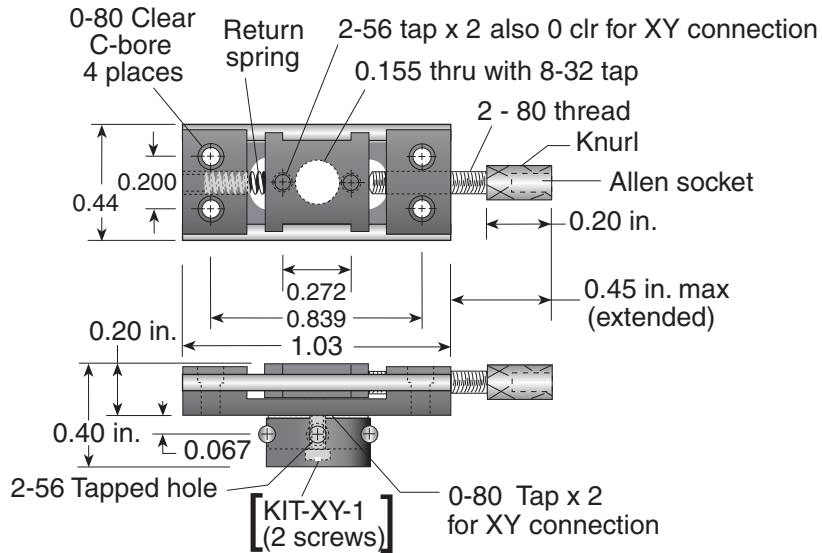
- XZ configurations available
- CR, -EX, and -090 versions may be combined
- Z axis must be a stage with Z connection enabled

The information contained in this data sheet is subject to change without notice. Critical dimensions or specifications should be verified with our technical support staff.

MM-1 Manual Stage

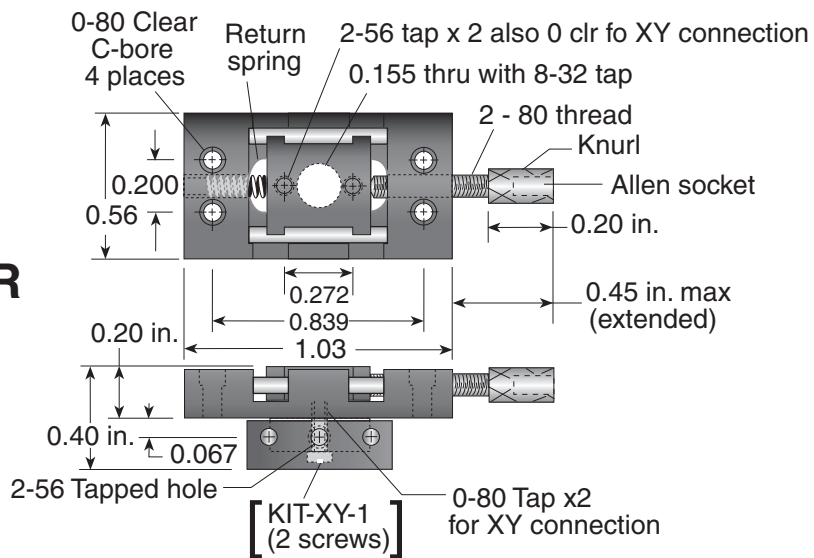
Dimensional Data

MM-1



Totally Metric Compatible

MM-1-CR



Totally Metric Compatible

The information contained in this data sheet is subject to change without notice. Critical dimensions or specifications should be verified with our technical support staff.

National Aperture, Inc. • 16 Northwestern Dr. • Salem, N.H. 03079-4810 • Tel. (800) 360-4598 • (603) 893-7393 • FAX (603) 893-7857 • www.nationalaperture.com/www.naimotion.com