

MV-CA060-11GM

6MP; 1/1.8" CMOS GigE Camera



Key Features:

- Gigabit Ethernet interface providing 1Gbps bandwidth; Transmitting distance can be 100m without relaying.
- 128MB on-board buffer, for image burst transmitting and retransmitting.
- Support auto exposure control, LUT and Gamma correction.
- Cameras can be synchronized with hard trigger and soft trigger.
- Different exposure modes can be used to capture image.
- Compliant with GigE Vision V1.2, can be supported by third party software

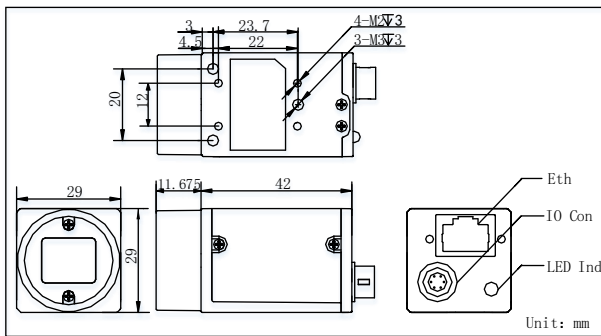
Typical Applications:

- Electronic semiconductor
- Factory automation
- Quality Inspection

Part No:

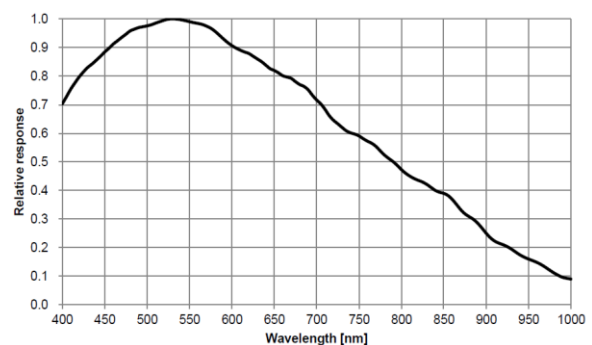
MV-CA060-11GM

Dimension:



Technical Specifications:

Part No	MV-CA060-11GM
Spec	6MP; 1/1.8" CMOS GigE Camera
Camera	
Sensor	1/1.8" Global Shutter CMOS
Resolution	3072*2048
Pixel Size	2.4μm×2.4μm
Framerate	17fps@3072*2048 Mono8
Dynamic Range	>65dB
SNR	>40dB
Gain Range	0-20dB
Exposure Time	27μs-2.5sec
Shutter Mode	Global shutter; Auto-exposure; Manual exposure, and One-key exposure
Network	Gigabit Ethernet
General Purpose I/O	Opto-isolated input *1 Opto-isolated output *1 Bi-directional non-isolated I/O *1
Image Buffer	128MB
Data Format	Mono 8/10/10p/12/12p
General	
Power	<3.5W@12VDC, Voltage 5-15VDC, PoE Supported
Temperature	Working Temperature 0~50°C, Storage Temperature -30~70°C
Dimension	29mm×29mm×42mm
Weight	Approx. 68g
Lens Interface	C-Mount
Software	MVS or Third-Party Software supporting GigE Vision Protocol
Operating System	Windows XP/7/8 32/64bits
Compliance	GigE Vision
Certification	CE, FCC, RoHS



MV-CA060-11GM Spectral Response

Accessories:

Power: 12V @ 1A power adapter

NIC: Intel Pro1000 and above version recommended

Network Cable: CAT5e or CAT6 network cable recommended