

## MV-CLxxx-70Cx 4/8K Line Scan, CMOS, CameraLink Camera



The Hikvision MV-CLxxx-70CM/C 4/8k Line Scan CMOS GigE Camera is a high quality device that can be used in a variety of applications, including printing inspection, food sorting, pharma inspection, ITS and logistics inspection.

### Key Features

- Support automatic or manual adjustment of gain and exposure time, etc.
- Support custom ROI.
- Support a variety of external trigger mode, signals can be synchronized with external trigger signal or free-running mode.
- Support PRNU and FPN.
- Optional jpg encoding output to reduce transmission bandwidth.
- CameraLink interface supports Base and Medium mode.
- Compatible with CameraLink and GenICam standard and can be seamlessly connected to third-party software platforms.
- CE, FCC, RoHS certification.

### Application Scenarios

- Printing Inspection
- Food Sorting
- Pharma Inspection
- ITS
- Logistics Inspection

### Order Model

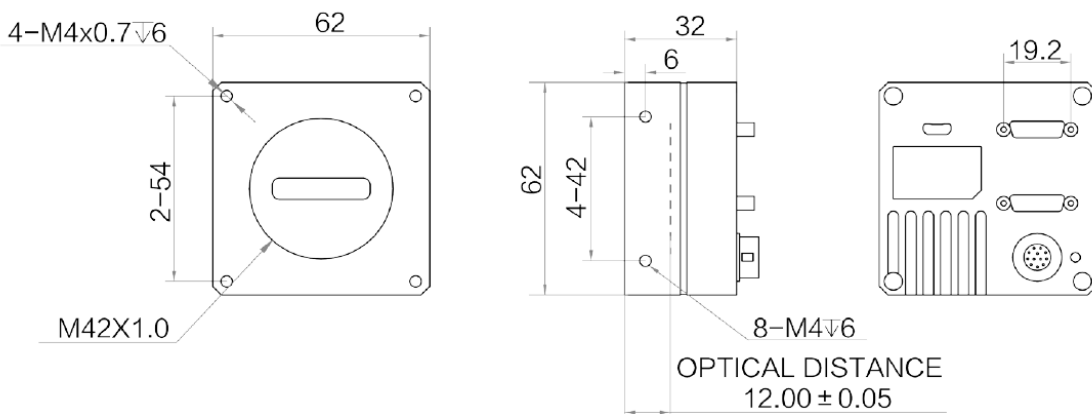
Mono: MV-CL042-70CM  
MV-CL082-70CM  
Color: MV-CL042-70CC



## Specifications

Model	MV-CL042-70CM	MV-CL042-70CC	MV-CL082-70CM
Parameters	4/8K Line Scan, CMOS, CameraLink Camera		
<b>Camera</b>			
Pixel Size	5 $\mu$ m $\times$ 5 $\mu$ m		
Resolution	4096*2	4096*2	8192*2
Line Rate	100kHz	40kHz	40kHz
Data Interface	CameraLink		
Exposure Time	1.5 $\mu$ s-10ms		1.5 $\mu$ s-6.6ms
Dynamic Range	> 70dB	> 56dB	> 67.6dB
Pixel Format	Mono 8/10/12	Mono 8/10/12 Bayer RG 8/10/12	Mono 8/10/12
GPIO	12-pin Hirose connector provides power and I/O including 2 differential inputs, 2 differential outputs, CameraLink card provide I/O		CameraLink card provide I/O
<b>General</b>			
Power Consumption	< 3.6W @12VDC		< 7.5W @12VDC
Power Supply	12-24VDC		
Dimension	60mm*60mm*32mm		125mm*60mm*35mm
Weight	< 150g		< 360g
Lens Mount	M42*1.0, optical back focal length 12mm, supporting C-mount or F-mount via lens adapter		Optical back focal length 10.3mm $\phi$ 42, M2.5*3, screw fixed
Temperature	Working Temperature -30-50 $^{\circ}$ C, storage temperature -40-70 $^{\circ}$ C		Working Temperature 0-55 $^{\circ}$ C, storage temperature -40-70 $^{\circ}$ C

### Dimension



Unit:mm